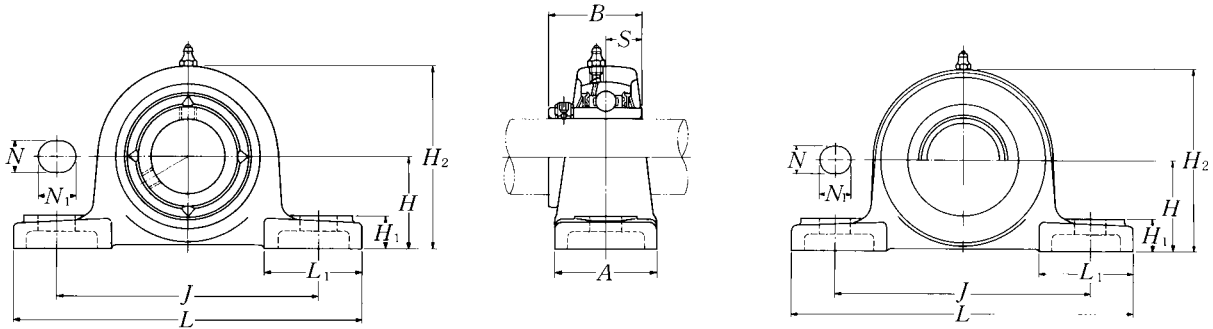


Pillow blocks cast housing Set screw type



Pressed steel dust cover type

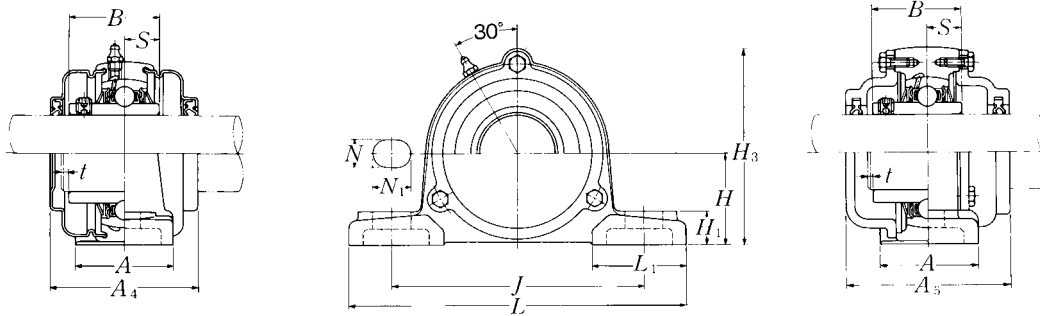
Open end: **S-UCP...D1**

Closed end: **SM-UCP...D1**

Shaft dia. mm inch	Unit number ¹⁾	Nominal dimensions											Bolt size mm inch	Bearing number
		H	L	J	A	N	N ₁	H ₁	H ₂	L ₁	B	S		
12 1/2	UCP201D1	30.2	127	95	38	13	16	14	62	42	31	12.7	M10	UC201D1
	UCP201-008D1	1 3/16	5	3 3/4	1 1/2	1/2	5/8	9/16	2 7/16	1 21/32	1.2205	0.500	3/8	UC201-008D1
15 9/16 5/8	UCP202D1	30.2	127	95	38	13	16	14	62	42	31	12.7	M10	UC202D1
	UCP202-009D1	1 3/16	5	3 3/4	1 1/2	1/2	5/8	9/16	2 7/16	1 21/32	1.2205	0.500	3/8	UC202-009D1
	UCP202-010D1	1 3/16	5	3 3/4	1 1/2	1/2	5/8	9/16	2 7/16	1 21/32	1.2205	0.500	3/8	UC202-010D1
17 1 1/16	UCP203D1	30.2	127	95	38	13	16	14	62	42	31	12.7	M10	UC203D1
	UCP203-011D1	1 3/16	5	3 3/4	1 1/2	1/2	5/8	9/16	2 7/16	1 21/32	1.2205	0.500	3/8	UC203-011D1
20 3/4	UCP204D1	33.3	127	95	38	13	16	14	65	42	31	12.7	M10	UC204D1
	UCP204-012D1	1 5/16	5	3 3/4	1 1/2	1/2	5/8	9/16	2 9/16	1 21/32	1.2205	0.500	3/8	UC204-012D1
25 1 3/16 7/8 1 5/16 1	UCP205D1	36.5	140	105	38	13	16	15	71	42	34.1	14.3	M10	UC205D1
	UCP205-013D1	1 7/16	5 1/2	4 1/8	1 1/2	1/2	5/8	19/32	2 25/32	1 21/32	1.3425	0.563	3/8	UC205-013D1
	UCP205-014D1	1 7/16	5 1/2	4 1/8	1 1/2	1/2	5/8	19/32	2 25/32	1 21/32	1.3425	0.563	3/8	UC205-014D1
	UCP205-015D1	1 7/16	5 1/2	4 1/8	1 1/2	1/2	5/8	19/32	2 25/32	1 21/32	1.3425	0.563	3/8	UC205-015D1
30 1 1/16 1 1/8 1 3/16 1 1/4	UCP206D1	42.9	165	121	48	17	20	17	83	54	38.1	15.9	M14	UC206D1
	UCP206-101D1	1 11/16	6 1/2	4 3/4	1 7/8	2 1/32	2 5/32	2 1/32	3 9/32	2 1/8	1.5000	0.626	1/2	UC206-101D1
	UCP206-102D1	1 11/16	6 1/2	4 3/4	1 7/8	2 1/32	2 5/32	2 1/32	3 9/32	2 1/8	1.5000	0.626	1/2	UC206-102D1
	UCP206-103D1	1 11/16	6 1/2	4 3/4	1 7/8	2 1/32	2 5/32	2 1/32	3 9/32	2 1/8	1.5000	0.626	1/2	UC206-103D1
35 1 1/4 1 5/16 1 3/8 1 7/16	UCP207D1	47.6	167	127	48	17	20	18	93	54	42.9	17.5	M14	UC207D1
	UCP207-104D1	1 7/8	6 9/16	5	1 7/8	2 1/32	2 5/32	2 3/32	3 21/32	2 1/8	1.6890	0.689	1/2	UC207-104D1
	UCP207-105D1	1 7/8	6 9/16	5	1 7/8	2 1/32	2 5/32	2 3/32	3 21/32	2 1/8	1.6890	0.689	1/2	UC207-105D1
	UCP207-106D1	1 7/8	6 9/16	5	1 7/8	2 1/32	2 5/32	2 3/32	3 21/32	2 1/8	1.6890	0.689	1/2	UC207-106D1
40 1 1/2 1 9/16	UCP208D1	49.2	184	137	54	17	20	18	98	52	49.2	19	M14	UC208D1
	UCP208-108D1	1 15/16	7 1/4	5 13/32	2 1/8	2 1/32	2 5/32	2 3/32	3 27/32	2 1/16	1.9370	0.748	1/2	UC208-108D1
	UCP208-109D1	1 15/16	7 1/4	5 13/32	2 1/8	2 1/32	2 5/32	2 3/32	3 27/32	2 1/16	1.9370	0.748	1/2	UC208-109D1
45 1 5/8 1 1 1/16 1 3/4	UCP209D1	54	190	146	54	17	20	20	106	60	49.2	19	M14	UC209D1
	UCP209-110D1	2 1/8	7 15/32	5 3/4	2 1/8	2 1/32	2 5/32	2 5/32	4 3/16	2 3/8	1.9370	0.748	1/2	UC209-110D1
	UCP209-111D1	2 1/8	7 15/32	5 3/4	2 1/8	2 1/32	2 5/32	2 5/32	4 3/16	2 3/8	1.9370	0.748	1/2	UC209-111D1
	UCP209-112D1	2 1/8	7 15/32	5 3/4	2 1/8	2 1/32	2 5/32	2 5/32	4 3/16	2 3/8	1.9370	0.748	1/2	UC209-112D1

Remarks: 1) These numbers indicate relubricatable type. If maintenance free type is needed, please order without suffix "D1".

Note: Please refer to page 36 for size of grease fitting.

**Cast dust cover type**Open end: **C-UCP...D1**Closed end: **CM-UCP...D1**

Housing number ¹⁾	Unit number ¹⁾ pressed steel dust cover type	Unit number ¹⁾ cast dust cover type	Nominal dimensions				Mass of unit		
			t max.	mm A ₄	inch H ₃	A ₅	kg UCP	lb S(SM)	lb C(CM)
P203D1	S(SM)-UCP201D1	C(CM)-UCP201D1	2	51	67	62	0.7	0.7	1.0
P203D1	S(SM)-UCP201-008D1	C(CM)-UCP201-008D1	5/64	2	2 5/8	2 7/16	1.5	1.5	2.2
P203D1	S(SM)-UCP202D1	C(CM)-UCP202D1	2	51	67	62	0.7	0.7	1.0
P203D1	S(SM)-UCP202-009D1	C(CM)-UCP202-009D1	5/64	2	2 5/8	2 7/16	1.5	1.5	2.2
P203D1	S(SM)-UCP202-010D1	C(CM)-UCP202-010D1	5/64	2	2 5/8	2 7/16	1.5	1.5	2.2
P203D1	S(SM)-UCP203D1	C(CM)-UCP203D1	2	51	67	62	0.7	0.7	1.0
P203D1	S(SM)-UCP203-011D1	C(CM)-UCP203-011D1	5/64	2	2 5/8	2 7/16	1.5	1.5	2.2
P204D1	S(SM)-UCP204D1	C(CM)-UCP204D1	2	51	70	62	0.7	0.7	0.9
P204D1	S(SM)-UCP204-012D1	C(CM)-UCP204-012D1	5/64	2	2 3/4	2 7/16	1.5	1.5	2.0
P205D1	S(SM)-UCP205D1	C(CM)-UCP205D1	2	57	76	70	0.8	0.9	1.1
P205D1	S(SM)-UCP205-013D1	C(CM)-UCP205-013D1	5/64	2 1/4	3	2 3/4	1.8	2.0	2.4
P205D1	S(SM)-UCP205-014D1	C(CM)-UCP205-014D1	5/64	2 1/4	3	2 3/4	1.8	2.0	2.4
P205D1	S(SM)-UCP205-015D1	C(CM)-UCP205-015D1	5/64	2 1/4	3	2 3/4	1.8	2.0	2.4
P205D1	S(SM)-UCP205-100D1	C(CM)-UCP205-100D1	5/64	2 1/4	3	2 3/4	1.8	2.0	2.4
P206D1	S(SM)-UCP206D1	C(CM)-UCP206D1	2	62	88	75	1.4	1.4	1.7
P206D1	S(SM)-UCP206-101D1	C(CM)-UCP206-101D1	5/64	2 7/16	3 15/32	2 15/16	3.1	3.1	3.8
P206D1	S(SM)-UCP206-102D1	C(CM)-UCP206-102D1	5/64	2 7/16	3 15/32	2 15/16	3.1	3.1	3.8
P206D1	S(SM)-UCP206-103D1	C(CM)-UCP206-103D1	5/64	2 7/16	3 15/32	2 15/16	3.1	3.1	3.8
P206D1	S(SM)-UCP206-104D1	C(CM)-UCP206-104D1	5/64	2 7/16	3 15/32	2 15/16	3.1	3.1	3.8
P207D1	S(SM)-UCP207D1	C(CM)-UCP207D1	3	72	99	80	1.6	1.7	2.0
P207D1	S(SM)-UCP207-104D1	C(CM)-UCP207-104D1	1/8	2 27/32	3 29/32	3 5/32	3.5	3.7	4.4
P207D1	S(SM)-UCP207-105D1	C(CM)-UCP207-105D1	1/8	2 27/32	3 29/32	3 5/32	3.5	3.7	4.4
P207D1	S(SM)-UCP207-106D1	C(CM)-UCP207-106D1	1/8	2 27/32	3 29/32	3 5/32	3.5	3.7	4.4
P207D1	S(SM)-UCP207-107D1	C(CM)-UCP207-107D1	1/8	2 27/32	3 29/32	3 5/32	3.5	3.7	4.4
P208D1	S(SM)-UCP208D1	C(CM)-UCP208D1	3	82	105	90	1.9	2.1	2.7
P208D1	S(SM)-UCP208-108D1	C(CM)-UCP208-108D1	1/8	3 7/32	4 1/8	3 17/32	4.2	4.6	6.0
P208D1	S(SM)-UCP208-109D1	C(CM)-UCP208-109D1	1/8	3 7/32	4 1/8	3 17/32	4.2	4.6	6.0
P209D1	S(SM)-UCP209D1	C(CM)-UCP209D1	3	82	113	95	2.2	2.4	3.1
P209D1	S(SM)-UCP209-110D1	C(CM)-UCP209-110D1	1/8	3 7/32	4 7/16	3 3/4	4.9	5.3	6.8
P209D1	S(SM)-UCP209-111D1	C(CM)-UCP209-111D1	1/8	3 7/32	4 7/16	3 3/4	4.9	5.3	6.8
P209D1	S(SM)-UCP209-112D1	C(CM)-UCP209-112D1	1/8	3 7/32	4 7/16	3 3/4	4.9	5.3	6.8