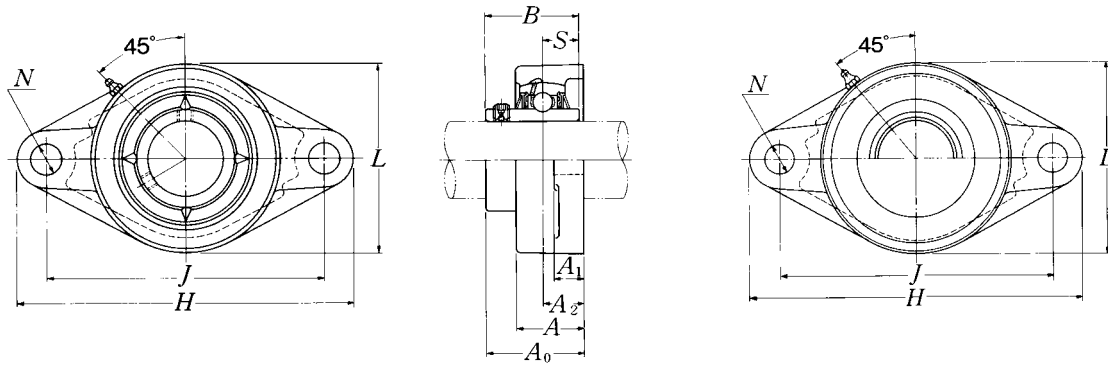


### Rhombus flanged units cast housing Set screw type



### Pressed steel dust cover type

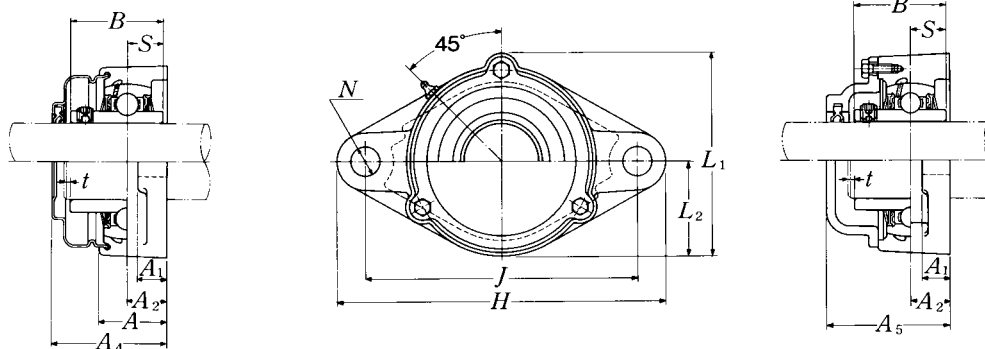
Open end: **S-UCFL...D1**

Closed end: **SM-UCFL...D1**

Shaft dia. mm inch	Unit number <sup>1)</sup>	Nominal dimensions										Bolt size mm inch	Bearing number
		H	J	A <sub>2</sub>	A <sub>1</sub>	A	N	L	A <sub>0</sub>	B	S		
12 1/2	<b>UCFL201D1</b>	113	90	15	11	25.5	12	60	33.3	31	12.7	M10	UC201D1
	<b>UCFL201-008D1</b>	4 <sup>7</sup> / <sub>16</sub>	3 <sup>35</sup> / <sub>64</sub>	1 <sup>9</sup> / <sub>32</sub>	7/16	1	1 <sup>5</sup> / <sub>32</sub>	2 <sup>3</sup> / <sub>8</sub>	1 <sup>5</sup> / <sub>16</sub>	1.2205	0.500	3/8	UC201-008D1
15 9/16 5/8	<b>UCFL202D1</b>	113	90	15	11	25.5	12	60	33.3	31	12.7	M10	UC202D1
	<b>UCFL202-009D1</b>	4 <sup>7</sup> / <sub>16</sub>	3 <sup>35</sup> / <sub>64</sub>	1 <sup>9</sup> / <sub>32</sub>	7/16	1	1 <sup>5</sup> / <sub>32</sub>	2 <sup>3</sup> / <sub>8</sub>	1 <sup>5</sup> / <sub>16</sub>	1.2205	0.500	3/8	UC202-009D1
	<b>UCFL202-010D1</b>	4 <sup>7</sup> / <sub>16</sub>	3 <sup>35</sup> / <sub>64</sub>	1 <sup>9</sup> / <sub>32</sub>	7/16	1	1 <sup>5</sup> / <sub>32</sub>	2 <sup>3</sup> / <sub>8</sub>	1 <sup>5</sup> / <sub>16</sub>	1.2205	0.500	3/8	UC202-010D1
17 11/16	<b>UCFL203D1</b>	113	90	15	11	25.5	12	60	33.3	31	12.7	M10	UC203D1
	<b>UCFL203-011D1</b>	4 <sup>7</sup> / <sub>16</sub>	3 <sup>35</sup> / <sub>64</sub>	1 <sup>9</sup> / <sub>32</sub>	7/16	1	1 <sup>5</sup> / <sub>32</sub>	2 <sup>3</sup> / <sub>8</sub>	1 <sup>5</sup> / <sub>16</sub>	1.2205	0.500	3/8	UC203-011D1
20 3/4	<b>UCFL204D1</b>	113	90	15	11	25.5	12	60	33.3	31	12.7	M10	UC204D1
	<b>UCFL204-012D1</b>	4 <sup>7</sup> / <sub>16</sub>	3 <sup>35</sup> / <sub>64</sub>	1 <sup>9</sup> / <sub>32</sub>	7/16	1	1 <sup>5</sup> / <sub>32</sub>	2 <sup>3</sup> / <sub>8</sub>	1 <sup>5</sup> / <sub>16</sub>	1.2205	0.500	3/8	UC204-012D1
25 13/16 7/8 15/16 1	<b>UCFL205D1</b>	130	99	16	13	27	16	68	35.8	34.1	14.3	M14	UC205D1
	<b>UCFL205-013D1</b>												UC205-013D1
	<b>UCFL205-014D1</b>	5 <sup>1</sup> / <sub>8</sub>	3 <sup>57</sup> / <sub>64</sub>	5/8	1/2	1 <sup>1</sup> / <sub>16</sub>	5/8	2 <sup>11</sup> / <sub>16</sub>	1 <sup>13</sup> / <sub>32</sub>	1.3425	0.563	1/2	UC205-014D1
	<b>UCFL205-015D1</b>												UC205-015D1
	<b>UCFL205-100D1</b>												UC205-100D1
30 1 1/16 1 1/8 1 3/16 1 1/4	<b>UCFL206D1</b>	148	117	18	13	31	16	80	40.2	38.1	15.9	M14	UC206D1
	<b>UCFL206-101D1</b>												UC206-101D1
	<b>UCFL206-102D1</b>	5 <sup>13</sup> / <sub>16</sub>	4 <sup>39</sup> / <sub>64</sub>	4 <sup>5</sup> / <sub>64</sub>	1/2	1 <sup>7</sup> / <sub>32</sub>	5/8	3 <sup>5</sup> / <sub>32</sub>	1 <sup>37</sup> / <sub>64</sub>	1.5000	0.626	1/2	UC206-102D1
	<b>UCFL206-103D1</b>												UC206-103D1
	<b>UCFL206-104D1</b>												UC206-104D1
35 1 1/4 1 5/16 1 3/8 1 7/16	<b>UCFL207D1</b>	161	130	19	15	34	16	90	44.4	42.9	17.5	M14	UC207D1
	<b>UCFL207-104D1</b>												UC207-104D1
	<b>UCFL207-105D1</b>	6 <sup>11</sup> / <sub>32</sub>	5 <sup>1</sup> / <sub>8</sub>	3/4	1 <sup>9</sup> / <sub>32</sub>	1 <sup>11</sup> / <sub>32</sub>	5/8	3 <sup>17</sup> / <sub>32</sub>	1 <sup>3</sup> / <sub>4</sub>	1.6890	0.689	1/2	UC207-105D1
	<b>UCFL207-106D1</b>												UC207-106D1
	<b>UCFL207-107D1</b>												UC207-107D1
40 1 1/2 1 9/16	<b>UCFL208D1</b>	175	144	21	15	36	16	100	51.2	49.2	19	M14	UC208D1
	<b>UCFL208-108D1</b>	6 <sup>7</sup> / <sub>8</sub>	5 <sup>43</sup> / <sub>64</sub>	5 <sup>3</sup> / <sub>64</sub>	1 <sup>9</sup> / <sub>32</sub>	1 <sup>13</sup> / <sub>32</sub>	5/8	3 <sup>15</sup> / <sub>16</sub>	2 <sup>1</sup> / <sub>64</sub>	1.9370	0.748	1/2	UC208-108D1
	<b>UCFL208-109D1</b>												UC208-109D1
45 1 5/8 1 11/16 1 3/4	<b>UCFL209D1</b>	188	148	22	16	38	19	108	52.2	49.2	19	M16	UC209D1
	<b>UCFL209-110D1</b>												UC209-110D1
	<b>UCFL209-111D1</b>	7 <sup>13</sup> / <sub>32</sub>	5 <sup>53</sup> / <sub>64</sub>	5 <sup>5</sup> / <sub>64</sub>	5/8	1 <sup>1</sup> / <sub>2</sub>	3/4	4 <sup>1</sup> / <sub>4</sub>	2 <sup>1</sup> / <sub>16</sub>	1.9370	0.748	5/8	UC209-111D1
	<b>UCFL209-112D1</b>												UC209-112D1

Remarks: 1) These numbers indicate relubricatable type. If maintenance free type is needed, please order without suffix "D1".

Note: Please refer to page 36 for size of grease fitting.



**Cast dust cover type**  
 Open end: **C-UCFL...D1**  
 Closed end: **CM-UCFL...D1**

Housing number <sup>1)</sup>	Unit number <sup>1)</sup> pressed steel dust cover type	Unit number <sup>1)</sup> cast dust cover type	Nominal dimensions					Mass of unit		
			t max.	mm		inch		UCFL	S(SM)	C(CM)
				A <sub>4</sub>	A <sub>5</sub>	L <sub>1</sub>	L <sub>2</sub>			
FL204D1	<b>S(SM)-UCFL201D1</b>	<b>C(CM)-UCFL201D1</b>	2	40.5	46	67	30	0.5	0.5	0.6
FL204D1	<b>S(SM)-UCFL201-008D1</b>	<b>C(CM)-UCFL201-008D1</b>	5/64	1 19/32	1 13/16	2 5/8	1 3/16	1.1	1.1	1.3
FL204D1	<b>S(SM)-UCFL202D1</b>	<b>C(CM)-UCFL202D1</b>	2	40.5	46	67	30	0.5	0.5	0.6
FL204D1	<b>S(SM)-UCFL202-009D1</b>	<b>C(CM)-UCFL202-009D1</b>	5/64	1 19/32	1 13/16	2 5/8	1 3/16	1.1	1.1	1.3
FL204D1	<b>S(SM)-UCFL202-010D1</b>	<b>C(CM)-UCFL202-009D1</b>	5/64	1 19/32	1 13/16	2 5/8	1 3/16	1.1	1.1	1.3
FL204D1	<b>S(SM)-UCFL203D1</b>	<b>C(CM)-UCFL203D1</b>	2	40.5	46	67	30	0.5	0.5	0.6
FL204D1	<b>S(SM)-UCFL203-011D1</b>	<b>C(CM)-UCFL203-011D1</b>	5/64	1 19/32	1 13/32	2 5/8	1 3/16	1.1	1.1	1.3
FL204D1	<b>S(SM)-UCFL204D1</b>	<b>C(CM)-UCFL204D1</b>	2	40.5	46	67	30	0.4	0.4	0.6
FL204D1	<b>S(SM)-UCFL204-012D1</b>	<b>C(CM)-UCFL204-012D1</b>	5/64	1 19/32	1 13/16	2 5/8	1 3/16	0.9	0.9	1.3
FL205D1	<b>S(SM)-UCFL205D1</b>	<b>C(CM)-UCFL205D1</b>	2	44.5	51	74	34	0.6	0.6	0.8
FL205D1	<b>S(SM)-UCFL205-013D1</b>	<b>C(CM)-UCFL205-013D1</b>	5/64	1 3/4	2	2 29/32	1 11/32	1.3	1.3	1.8
FL205D1	<b>S(SM)-UCFL205-014D1</b>	<b>C(CM)-UCFL205-014D1</b>	5/64	1 3/4	2	2 29/32	1 11/32	1.3	1.3	1.8
FL205D1	<b>S(SM)-UCFL205-015D1</b>	<b>C(CM)-UCFL205-015D1</b>	5/64	1 3/4	2	2 29/32	1 11/32	1.3	1.3	1.8
FL205D1	<b>S(SM)-UCFL205-100D1</b>	<b>C(CM)-UCFL205-100D1</b>	5/64	1 3/4	2	2 29/32	1 11/32	1.3	1.3	1.8
FL206D1	<b>S(SM)-UCFL206D1</b>	<b>C(CM)-UCFL206D1</b>	2	49	56	85	40	0.9	0.9	1.2
FL206D1	<b>S(SM)-UCFL206-101D1</b>	<b>C(CM)-UCFL206-101D1</b>	5/64	1 15/16	2 7/32	3 11/32	1 9/16	2.0	2.0	2.6
FL206D1	<b>S(SM)-UCFL206-102D1</b>	<b>C(CM)-UCFL206-102D1</b>	5/64	1 15/16	2 7/32	3 11/32	1 9/16	2.0	2.0	2.6
FL206D1	<b>S(SM)-UCFL206-103D1</b>	<b>C(CM)-UCFL206-103D1</b>	5/64	1 15/16	2 7/32	3 11/32	1 9/16	2.0	2.0	2.6
FL206D1	<b>S(SM)-UCFL206-104D1</b>	<b>C(CM)-UCFL206-104D1</b>	5/64	1 15/16	2 7/32	3 11/32	1 9/16	2.0	2.0	2.6
FL207D1	<b>S(SM)-UCFL207D1</b>	<b>C(CM)-UCFL207D1</b>	3	55	59	97	45	1.2	1.2	1.4
FL207D1	<b>S(SM)-UCFL207-104D1</b>	<b>C(CM)-UCFL207-104D1</b>	1/8	2 5/32	2 5/16	3 13/16	1 25/32	2.6	2.6	3.1
FL207D1	<b>S(SM)-UCFL207-105D1</b>	<b>C(CM)-UCFL207-105D1</b>	1/8	2 5/32	2 5/16	3 13/16	1 25/32	2.6	2.6	3.1
FL207D1	<b>S(SM)-UCFL207-106D1</b>	<b>C(CM)-UCFL207-106D1</b>	1/8	2 5/32	2 5/16	3 13/16	1 25/32	2.6	2.6	3.1
FL207D1	<b>S(SM)-UCFL207-107D1</b>	<b>C(CM)-UCFL207-107D1</b>	1/8	2 5/32	2 5/16	3 13/16	1 25/32	2.6	2.6	3.1
FL208D1	<b>S(SM)-UCFL208D1</b>	<b>C(CM)-UCFL208D1</b>	3	62	66	106	50	1.5	1.5	1.9
FL208D1	<b>S(SM)-UCFL208-108D1</b>	<b>C(CM)-UCFL208-108D1</b>	1/8	2 7/16	2 19/32	4 3/16	1 31/32	3.3	3.3	4.2
FL208D1	<b>S(SM)-UCFL208-109D1</b>	<b>C(CM)-UCFL208-109D1</b>	1/8	2 7/16	2 19/32	4 3/16	1 31/32	3.3	3.3	4.2
FL209D1	<b>S(SM)-UCFL209D1</b>	<b>C(CM)-UCFL209D1</b>	3	63	70	113	54	1.8	1.9	2.3
FL209D1	<b>S(SM)-UCFL209-110D1</b>	<b>C(CM)-UCFL209-110D1</b>	1/8	2 15/32	2 3/4	4 7/16	2 1/8	4.0	4.2	5.1
FL209D1	<b>S(SM)-UCFL209-111D1</b>	<b>C(CM)-UCFL209-111D1</b>	1/8	2 15/32	2 3/4	4 7/16	2 1/8	4.0	4.2	5.1
FL209D1	<b>S(SM)-UCFL209-112D1</b>	<b>C(CM)-UCFL209-112D1</b>	1/8	2 15/32	2 3/4	4 7/16	2 1/8	4.0	4.2	5.1