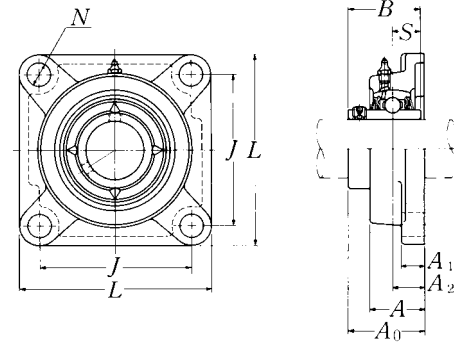


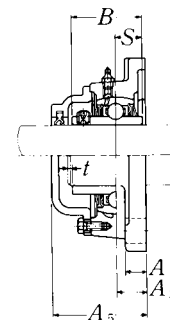
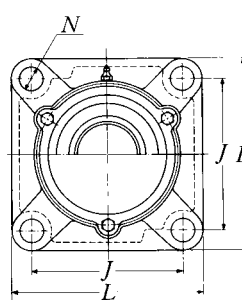
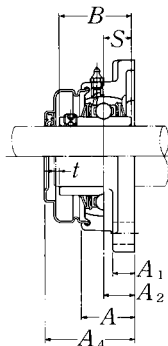
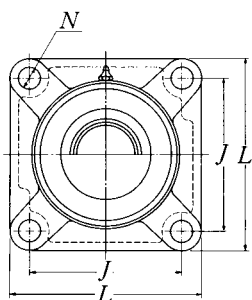
Square flanged units cast housing
Set screw type



Shaft dia.	Unit number ¹⁾	Nominal dimensions									Bolt size	Bearing number
		mm		inch								
mm inch		L	J	A ₂	A ₁	A	N	A ₀	B	S	mm inch	
50	UCF210D1	143	111	22	16	40	16	54.6	51.6	19	M14	UC210D1
$1\frac{13}{16}$	UCF210-113D1											UC210-113D1
$1\frac{7}{8}$	UCF210-114D1										$\frac{1}{2}$	UC210-114D1
$1\frac{15}{16}$	UCF210-115D1	$5\frac{5}{8}$	$4\frac{3}{8}$	$55\frac{5}{64}$	$\frac{5}{8}$	$1\frac{9}{16}$	$\frac{5}{8}$	$2\frac{5}{32}$	2.0315	0.748		UC210-115D1
2	UCF210-200D1											UC210-200D1
55	UCF211D1	162	130	25	18	43	19	58.4	55.6	22.2	M16	UC211D1
2	UCF211-200D1											UC211-200D1
$2\frac{1}{16}$	UCF211-201D1	$6\frac{3}{8}$	$5\frac{1}{8}$	$63\frac{6}{64}$	$2\frac{3}{32}$	$1\frac{11}{16}$	$\frac{3}{4}$	$2\frac{19}{64}$	2.1890	0.874	$\frac{5}{8}$	UC211-201D1
$2\frac{1}{8}$	UCF211-202D1											UC211-202D1
$2\frac{3}{16}$	UCF211-203D1											UC211-203D1
60	UCF212D1	175	143	29	18	48	19	68.7	65.1	25.4	M16	UC212D1
$2\frac{1}{4}$	UCF212-204D1											UC212-204D1
$2\frac{5}{16}$	UCF212-205D1	$6\frac{7}{8}$	$5\frac{5}{8}$	$1\frac{9}{64}$	$2\frac{3}{32}$	$1\frac{7}{8}$	$\frac{3}{4}$	$2\frac{45}{64}$	2.5630	1.000	$\frac{5}{8}$	UC212-205D1
$2\frac{3}{8}$	UCF212-206D1											UC212-206D1
$2\frac{7}{16}$	UCF212-207D1											UC212-207D1
65	UCF213D1	187	149	30	22	50	19	69.7	65.1	25.4	M16	UC213D1
$2\frac{1}{2}$	UCF213-208D1	$7\frac{3}{8}$	$5\frac{55}{64}$	$1\frac{3}{16}$	$\frac{7}{8}$	$1\frac{31}{32}$	$\frac{3}{4}$	$2\frac{3}{4}$	2.5630	1.000	$\frac{5}{8}$	UC213-208D1
$2\frac{9}{16}$	UCF213-209D1											UC213-209D1
70	UCF214D1	193	152	31	22	54	19	75.4	74.6	30.2	M16	UC214D1
$2\frac{5}{8}$	UCF214-210D1											UC214-210D1
$2\frac{11}{16}$	UCF214-211D1	$7\frac{19}{32}$	$5\frac{63}{64}$	$1\frac{7}{32}$	$\frac{7}{8}$	$2\frac{1}{8}$	$\frac{3}{4}$	$2\frac{31}{32}$	2.9370	1.189	$\frac{5}{8}$	UC214-211D1
$2\frac{3}{4}$	UCF214-212D1											UC214-212D1
75	UCF215D1	200	159	34	22	56	19	78.5	77.8	33.3	M16	UC215D1
$2\frac{13}{16}$	UCF215-213D1											UC215-213D1
$2\frac{7}{8}$	UCF215-214D1	$7\frac{7}{8}$	$6\frac{17}{64}$	$1\frac{11}{32}$	$\frac{7}{8}$	$2\frac{7}{32}$	$\frac{3}{4}$	$3\frac{3}{32}$	3.0630	1.311	$\frac{5}{8}$	UC215-214D1
$2\frac{15}{16}$	UCF215-215D1											UC215-215D1
3	UCF215-300D1											UC215-300D1
80	UCF216D1	208	165	34	22	58	23	83.3	82.6	33.3	M20	UC216D1
$3\frac{1}{16}$	UCF216-301D1											UC216-301D1
$3\frac{1}{8}$	UCF216-302D1	$8\frac{3}{16}$	$6\frac{1}{2}$	$1\frac{11}{32}$	$\frac{7}{8}$	$2\frac{9}{32}$	$2\frac{29}{32}$	$3\frac{9}{32}$	3.2520	1.311	$\frac{3}{4}$	UC216-302D1
$3\frac{3}{16}$	UCF216-303D1											UC216-303D1

Remarks: 1) These numbers indicate relubricatable type. If maintenance free type is needed, please order without suffix "D1".

Note: Please refer to page 36 for size of grease fitting.

**Pressed steel dust cover type**Open end: **S-UCF...D1**Closed end: **SM-UCF...D1****Cast dust cover type**Open end: **C-UCF...D1**Closed end: **CM-UCF...D1**

Housing number ¹⁾	Unit number ¹⁾ pressed steel dust cover type	Unit number ¹⁾ cast dust cover type	Nominal dimensions			Mass of unit		
			mm		inch	kg		lb
			t max.	A ₄	A ₅	UCF	S(SM)	C(CM)
F210D1	S(SM)-UCF210D1	C(CM)-UCF210D1	3	65.5	72	2.5	2.5	3.0
F210D1	S(SM)-UCF210-113D1	C(CM)-UCF210-113D1						
F210D1	S(SM)-UCF210-114D1	C(CM)-UCF210-114D1	1/8	2 ¹⁹ / ₃₂	2 ²⁷ / ₃₂	5.5	5.5	6.6
F210D1	S(SM)-UCF210-115D1	C(CM)-UCF210-115D1						
F210D1	S(SM)-UCF210-200D1	C(CM)-UCF210-200D1						
F211D1	S(SM)-UCF211D1	C(CM)-UCF211D1	4	71	75	3.3	3.4	4.0
F211D1	S(SM)-UCF211-200D1	C(CM)-UCF211-200D1						
F211D1	S(SM)-UCF211-201D1	C(CM)-UCF211-201D1	5/32	2 ²⁵ / ₃₂	2 ¹⁵ / ₁₆	7.3	7.5	8.8
F211D1	S(SM)-UCF211-202D1	C(CM)-UCF211-202D1						
F211D1	S(SM)-UCF211-203D1	C(CM)-UCF211-203D1						
F212D1	S(SM)-UCF212D1	C(CM)-UCF212D1	4	80	86	3.9	4.1	4.8
F212D1	S(SM)-UCF212-204D1	C(CM)-UCF212-204D1						
F212D1	S(SM)-UCF212-205D1	C(CM)-UCF212-205D1	5/32	3 ²⁵ / ₃₂	3 ³ / ₈	8.6	9.0	11
F212D1	S(SM)-UCF212-206D1	C(CM)-UCF212-206D1						
F212D1	S(SM)-UCF212-207D1	C(CM)-UCF212-207D1						
F213D1	S(SM)-UCF213D1	C(CM)-UCF213D1	4	83.5	90	5.5	5.6	6.4
F213D1	S(SM)-UCF213-208D1	C(CM)-UCF213-208D1	5/32	3 ⁹ / ₃₂	3 ¹⁷ / ₃₂	12	12	14
F213D1	S(SM)-UCF213-209D1	C(CM)-UCF213-209D1						
F214D1	—	C(CM)-UCF214D1	4	—	98	6.3	—	7.4
F214D1		C(CM)-UCF214-210D1						
F214D1	—	C(CM)-UCF214-211D1	5/32	—	3 ²⁷ / ₃₂	14	—	16
F214D1		C(CM)-UCF214-212D1						
F215D1	—	C(CM)-UCF215D1	4	—	102	6.6	—	7.9
F215D1		C(CM)-UCF215-213D1						
F215D1	—	C(CM)-UCF215-214D1	5/32	—	4 ¹ / ₃₂	15	—	17
F215D1		C(CM)-UCF215-215D1						
F215D1		C(CM)-UCF215-300D1						
F216D1	—	C(CM)-UCF216D1	4	—	106	7.9	—	9.3
F216D1		C(CM)-UCF216-301D1						
F216D1	—	C(CM)-UCF216-302D1	5/32	—	4 ³ / ₁₆	17	—	21
F216D1		C(CM)-UCF216-303D1						